

Do not place anything in the mouth including food, drink, gum, or tobacco products for at least 10 minutes prior to collection of oral fluid specimen.

STEP 1

Unscrew the Collector Cap to pull out the collection stick with Sponge from the Collection Chamber.

STEP 2

Insert the sponge end of the collection stick into the mouth. Close mouth, soak sponge into saliva in mouth and swab the inside of the mouth and tongue to collect oral fluid until the sponge becomes completely soft and fully saturated with saliva. At the same time, the indicator from colorless to pink or containing sponge for 4 minutes. No hard spots should be felt on the sponge when saturated.

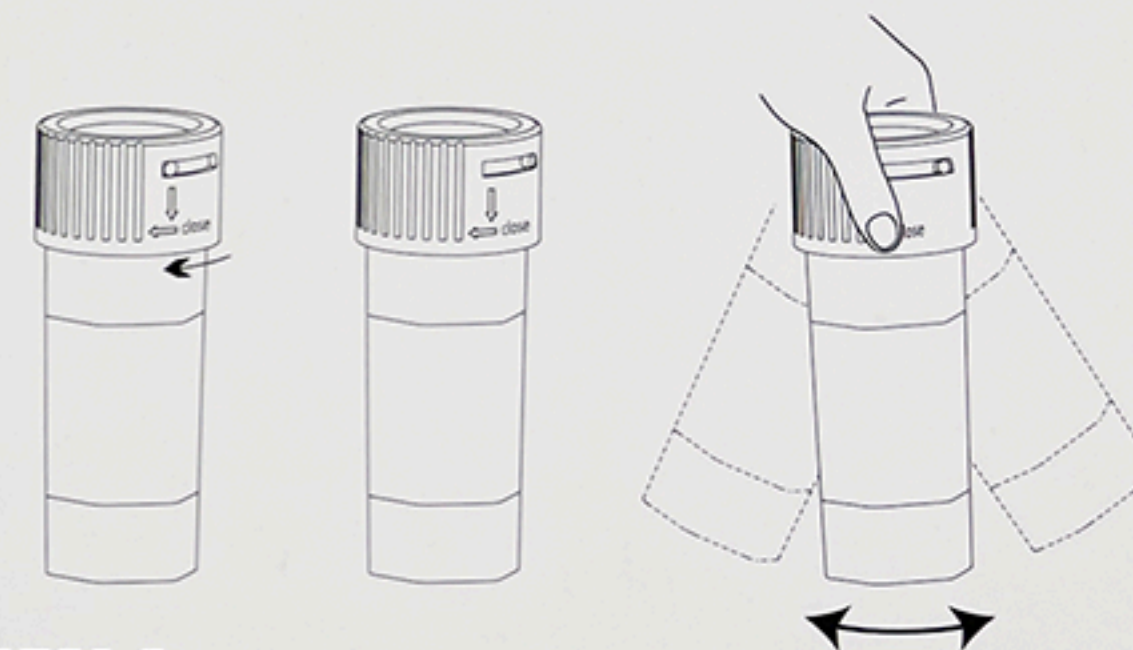
STEP 3

Remove the sponge from the mouth. Place the collection stick with saturated sponge into Collection Chamber.



STEP 4

Secure the cap, shake three times, then start the timer.



STEP 5

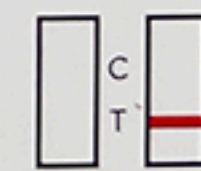
Peel off the label to read test results. Read results at 10 minutes. Do not read results after 20 minutes.



Negative(-)



Positive(+)



Invalid